
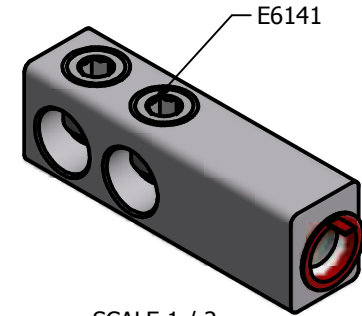
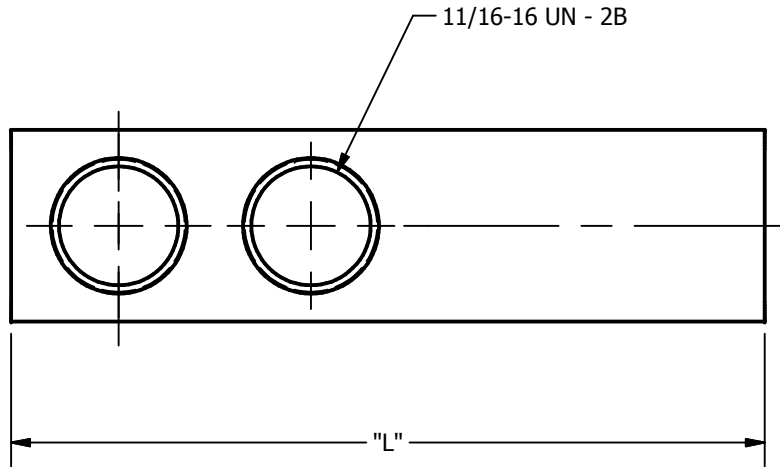
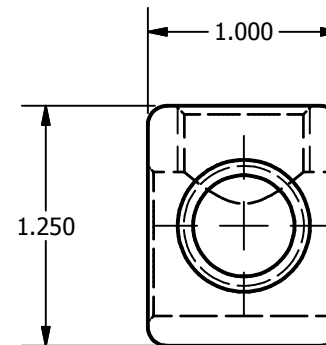
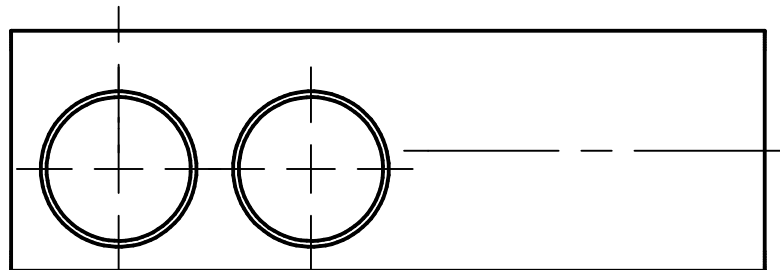


SCREW: E6141	MATERIAL: ALUMINUM, X1428	REV: AL		
CAT. NO.: SEE CHART	PLATING: WAX	DRAWN BY: CLH	SCALE: 1:1	800-776-9775 www.ilsco.com
INFORMATION SHEET: FORM 18	MARKING: UTILCO, PTF-350, 350kcmil-10, AL-CU	DATE: 8/23/2007	SIZE: A	DWG. NO. N7907
				SHEET: 1 OF 1



SCALE 1 / 2



CAT NO	OUTLETS	"L"
PTF2-350, P	2	3.920
PTF3-350	3	4.920
PTF4-350, P	4	5.920
PTF5-350, P	5	6.920
PTF6-350, P	6	7.920
PTF8-350, P	8	9.920